

GEL COAT

SAND FILTER




Neptune
for swimming pools

By 
Pool
Pro

SCAN FOR
MORE INFO



Neptune Sand Filters are made of gel coat fibreglass, are built to last and include many great features:

- Gel coat fibreglass tank with smooth finish.
- Top diffuser ensures even distribution of water over the filter media.
- Materials are reliable, non-corrosive and designed for all weather conditions.
- Suits all filter media; sand, zeolite and glass.
- Warranty: 10 years on tank, 2 years on MPV, 1 year on all other parts.

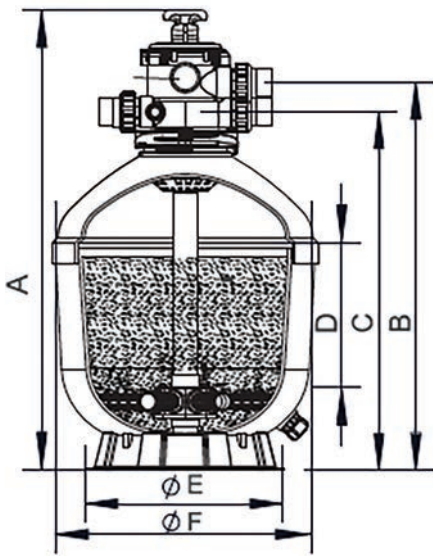


PRODUCT DIMENSIONS

Model	A (mm)	B (mm)	C (mm)	D (mm)	E (mm)	F (mm)	Filter media quantity required (guide only)			
							Sand kg / 20kg bags	Zeolite kg / 15kg bags	Coarse Glass kg / 15kg bags	Fine Glass kg / 15kg bags
20 inch - SF500G	886	750	693	286	390	500	88 / 4	60 / 4	25 / 2	40 / 3
25 inch - SF650G40	998	862	805	318	500	650	158 / 7	105 / 7	45 / 3	60 / 4
25 inch - SF650G50	1034	887	821	251	500	650	158 / 11	165 / 11	60 / 4	105 / 7
30 inch - SF750G	1159	1029	945	393	500	750	260 / 18	270 / 18	105 / 7	165 / 11
36 inch - SF900G	1294	1163	1080	450	780	900	422 / 18	270 / 18	105 / 7	165 / 11

This is a guide only. Sand size may differ from country to country and therefore sand weights may vary.

DIAGRAM



PRODUCT INFORMATION

Filter Size	Model	Valve Port Size	Filter Area (m ²)	Max Flow Rate
21 inch	SF500G	40mm / 1.5"	0.20	167Lpm 10.0m ³ /h
25 inch	SF650G40	40mm / 1.5"	0.33	275Lpm 16.5m ³ /h
25 inch	SF650G50	50mm / 2.0"	0.33	275Lpm 16.5m ³ /h
30 inch	SF750G	50mm / 2.0"	0.44	366Lpm 22.0m ³ /h
36 inch	SF900G	50mm / 2.0"	0.64	533Lpm 32.0m ³ /h

TECHNICAL INFORMATION

FUNCTIONS : Refer to 6-Way Multi-port Valve

Max Working Pressure	250kPa / 36psi / 2.5bar
Factory Testing Pressure	400kPa / 58psi / 4.0bar
Max Water Temperature	43°C (109°F)
Size of Silica Sand	0.5-0.8mm
Max Filtration Velocity	50mm ³ / h / m ²

AVAILABLE FROM YOUR
LOCAL POOL PRO STOCKIST



TANK*



MPV*



PARTS*